

WE USED THE BEST OF OTHER COOLERS FOR THE KONTAKT 40 NEW GREEN LINE 1X TAP MODEL.

KONTAKT 40/K NEW 1X TAP



CZECH UP YOUR BEER
COOLING AND DISPENSING SYSTEMS

COMPACT & POWERFUL

Our most popular coolers in foreign markets. This is how the KONTAKT model line, which offers professional cooling solutions in compact dimensions, can be characterized.





KONTAKT 40/K NEW 1X TAP GREEN LINE

We used the best of other coolers for the KONTAKT 40/K NEW GREEN LINE 1x tap model with built-in air compressor – the compactness and optimal dimensions of the PYGMY series and the performance with the technologies of large professional restaurant and pub coolers. Thanks to this, we can offer a cooler that can easily handle smaller restaurant operations and at the same time meet the most demanding requirements for home cooling, dispensing and serving quality chilled beer and other beverages. The single tap version benefits from twice the length of the cooling coil. The KONTAKT model line includes the most popular professional coolers with this performance. The NEW designation in the name means that this is an innovated version of the cooler, which is certified according to the latest safety and hygiene standards (Czech and European).



<< KONTAKT 40/K NEW GREEN LINE 1x TAP
EASY TO CARRY – Easy and safe handling thanks to the small dimensions of the machine and the handles which are located on its upper part.

KONTAKT 40/K NEW GREEN LINE 1x TAP >
NUMBER OF TAPS – Coolers can be supplied with one or two taps.

| BENEFITS AND USEFUL FEATURES

INNOVATION - All our contact coolers are constantly evolving and meet all the latest safety standards and certifications (Czech and European).

PERFORMANCE - KONTAKT 40/K 1 x tap NEW GREEN LINE dispensing machine with its increased continuous output of 40-50 l / hour allows the serving of about 80-100 perfectly chilled beverages in one hour.

NUMBER OF TAPS - This model can be also supplied with two taps.

GREEN LINE – LINDR GREEN LINE technology is environmentally friendly thanks to the use of eco-friendly refrigerant R-290. Thanks to this design, each product achieves 20 % higher energy efficiency and 20 % lower energy consumption. We have introduced an energy saving system in the production.

BEVERAGE VOLUME IN THE COOLING BLOCK - A characteristic feature of our coolers is the large volume of beverage in the cooling block. Models in the Kontakt 40 series have 1,2 l. The uniform inner diameter of the cooling coil (7 mm) from the dispense head to the tap guarantees cleanliness and optimal beverage flow.

EQUIPMENT - Thermostat enabling continuous and precise regulation of the beverage temperature, tap (s), tap wrench, drip tray and speed fittings for easy connection.

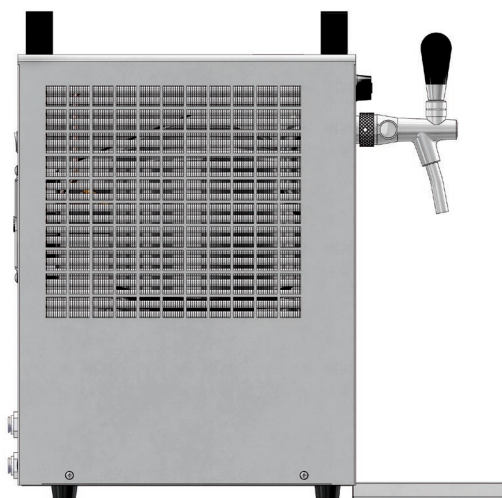
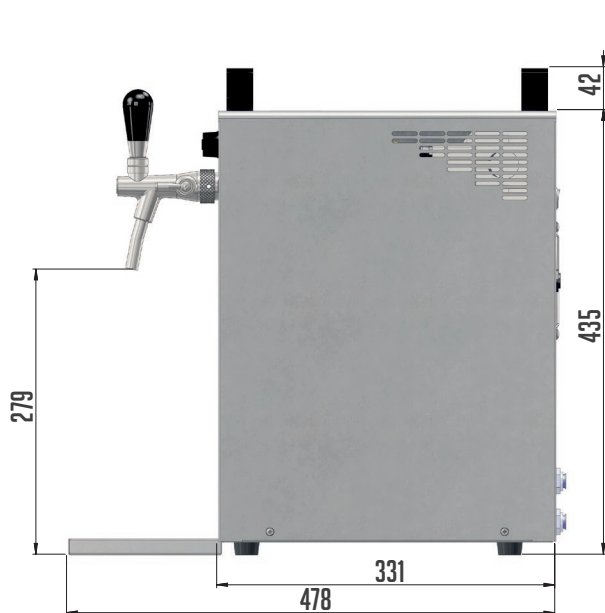
UNIVERSAL USE - This dispensing machine can also be used in combination with a dispense tower.

STAINLESS STEEL STRUCTURE - The complete structure and cooling coil are made of stainless steel. The materials used meet the highest requirements of hygienic standards and guarantee a long life.

OVERALL COMPACTNESS - KONTAKT series coolers have the best ratio of performance, dimensions and price on the market. The overall robustness of this model leaves no one in doubt that this cooler can deal with the company of several dozen thirsty people.



KONTAKT 40/K NEW GREEN LINE 1X TAP



PRODUCT MODEL KONTAKT 40/K NEW GL 1X TAP

| | |
|--|-------------------|
| COOLING POWER OF THE COMPRESSOR (HP) | 1/5 |
| COOLING POWER OF THE COMPRESSOR (W) | 510 |
| MAXIMUM COOLING CAPACITY TO 0 °C / TK 45 °C (L/HOUR) | 50 |
| CONTINUOUS COOLING PERFORMANCE (L/HOUR) | 40 |
| THERMAL GRADIENT ΔT (°C) | 10 |
| AIR COMPRESSOR (BAR) | YES |
| AIR COMPRESSOR PRESSURE (BAR) | AUTOMATIC 2,8-3,2 |
| NUMBER OF TAPS (PCS) | 1 |
| NUMBER OF COOLED BEVERAGES (PCS) | 1 |
| LENGTH OF COOLING COILS (M) | 1X28,0 |
| DIAMETER OF COOLING COIL (MM) | 7X8 |
| POWER (W) | 391 |
| AMPERAGE (A) | 1,70 |
| NET WEIGHT (KG) | 29,0 |
| REFRIGERANT TYPE | R290 |
| VOLTAGE (V) | 220-240V 50HZ-1 |
| BEVERAGE CONNECTION (FITTINGS) | 9,5MM (3/8") |
| AIR CONNECTION (FITTINGS) | 8MM (5/16") |

CUSTOMIZED OPTIONS

| | |
|--|-----|
| CHOICE OF TAP | YES |
| BEVERAGE CONNECTION - STAINLESS STEEL SCREWING | YES |
| AIR CONNECTION - STAINLESS STEEL SCREWING | YES |
| POWER CABLE PLUG | YES |