



CZECH UP YOUR BEER
COOLING AND DISPENSING SYSTEMS

MODEL KONTAKT 55/K PROFÍ

GREEN LINE

Dispensing system KONTAKT 55, 55/K PROFÍ is a professional cooler for beer which stands out above the other dry contact coolers by its versatility and variability in commercial use, presentation events in breweries and at receptions.

K PROFÍ – AIR COMPRESSOR, PRESSURE GAUGE WITH PRESSURE REGULATOR

The regulator allows the user to set and accurately adjust the pressure required for a given beverage in a range of 1.0 - 3.6 bar.



BENEFIT AND FUNCTIONAL CHARACTERISTICS OF LINDR DELUXE DISPENSING SYSTEMS:

GREEN LINE – LINDR GREEN LINE technology is environmentally friendly thanks to the use of eco-friendly refrigerant R-290. We have introduced an energy saving system in the production. Thanks to this design, each product achieves **20% higher energy efficiency and 20% lower energy consumption.**

LINDR THERMAL BLOCK – the compressor cooling unit uses the power input for direct transfer to chilling, which guarantees minimum energy usage. Perfectly chilled beer is ready within a few minutes after switching the cooler on.

LINDR COOLING TECHNOLOGY – always more powerful than its electric input power.

PERFORMANCE, QUALITY, SIZE – the best performance/ quality/ size ratio.

✓ **GREEN LINE** – all models from the KONTAKT 55 series are fully in GREEN LINE design.

✓ **IMPROVED PERFORMANCE** – KONTAKT 55 dispensing systems boast a continuous output of 40-50 l/h, allowing to serve 80-100 perfectly chilled beverages an hour.

✓ **KEG PRESSURISATION** – KONTAKT 55/K PROFÍ is equipped with a unique system of a built-in, silent, high-quality air compressor fitted with a noise dampener and a molecule filter for incoming air.

✓ **DESIGN** – unique contact cooling device with a bar tap tower, built-in drip tray

with waste outlet, and control elements facing the operator to enhance the sleek look of the device.

✓ **COMFORTABLY PORTABLE** – easy and safe handling thanks to the system's small size.

✓ **ILLUMINATED ADVERTISEMENT** – full-scale advertisement panel facing the customer allows the user to easily switch and customise motifs.

✓ **EQUIPMENT** – thermostat allowing smooth and precise regulation of beverage temperature, dispensing tap, tap wrench, drip tray and speedfit fittings for easy connection.

TECHNICAL PARAMETERS



AVAILABLE CUSTOM MODIFICATION OPTIONS

CHOICE OF TAPS

YES



BEER/ AIR STAINLESS STEEL SCREWING - 6 5/8"



POWER CABLE PLUG



ADVERTISEMENT PANEL




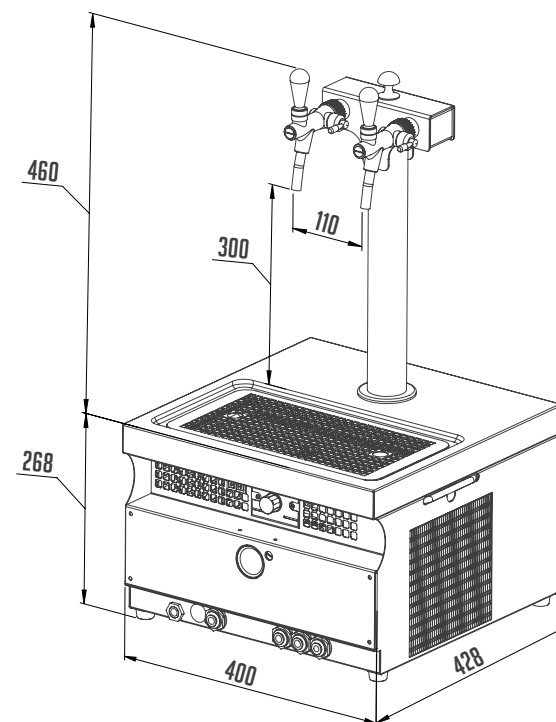
Note

Selected models are also available in 115 V/60 Hz or 220 V/60 Hz voltage.
Other custom modifications are also available (contact us).

PRODUCT MODEL

KONTAKT 55/K PROFI GL

COOLING POWER OF THE COMPRESSOR (HP)	1/5
COOLING POWER OF THE COMPRESSOR (W)	510
MAXIMUM COOLING CAPACITY TO 0°C / TK 45°C (L/HOUR)	50
CONTINUOUS COOLING PERFORMANCE (L/HOUR)	40
THERMAL GRADIENT ΔT (°C)	10
AIR COMPRESSOR (BAR)	YES, REGULATION 1,0-3,6
NUMBER OF TAPS (PCS)	2
NUMBER/ LENGTH OF COOLING COILS (M)	2/ 15,0
POWER (W)	437
AMPERAGE (A)	1,90
NET WEIGHT (KG)	33,5
TYPE OF REFRIGERANT	 R290
VOLTAGE	220-240V 50HZ~1
CONNECTION BEER/ AIR - SPEEDFIT FITTINGS	3/8, 5/16



www.lindr.cz

